

CMM FOR WORKSHOP USE

WENZEL SF 55

Ergonomic, fast, compact



MEASURE IN THE
PRODUCTION ENVIRONMENT

WENZEL SF 55

MEASURING IN THE PRODUCTION ENVIRONMENT

The SF 55 is a CNC bridge measuring device for use in a production environment and can be equipped with both tactile and optical sensors. The corrosion-free guides of the machine are made of granite and hand lapped with high precision. The guide ways are completely covered and protected against contamination.

The controller and PC are integrated into the machine for a minimum footprint. The space requirement is low with excellent price-performance ratio. The SF 55 has passive vibration damping and can optionally be equipped with active vibration isolation.

FEATURES

- **Cost-effective entry into coordinate measuring technology** due to excellent price-performance ratio
- **Flexible and universally** applicable in the workshop and in production
- **High measuring throughput** with scanning measuring heads
- **High accuracy** over a wide temperature range due to the use of granite in all axes
- **Compact design** with small footprint

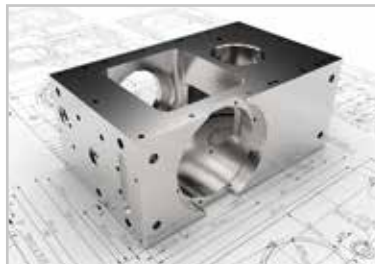
FIELDS OF APPLICATION

The SF 55 can be used universally. Serial and individual prismatic and free-form workpieces can be measured with the coordinate measuring machine in a production environment, for incoming goods and for classic quality assurance.

Steel bushings

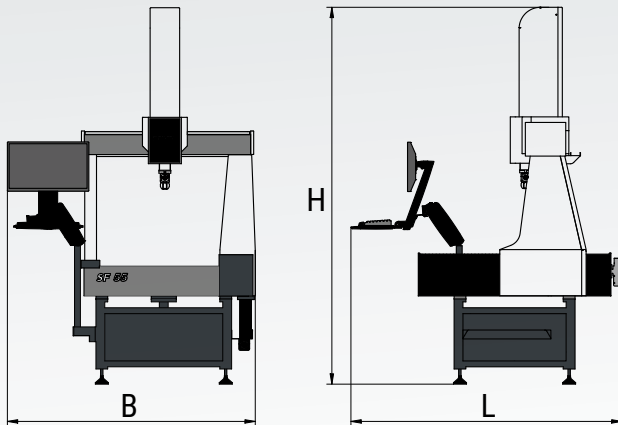


Machine components



Gearboxes





MACHINE PROFILE

Space Requirements (L x B x H)	1730 x 1440 x 2555 mm
Machine weight	980 kg
Max. Workpiece weight	200 kg
Measuring ranges	500 x 500 x 500 mm*

* with touch probe PH10M PLUS

YOUR ADVANTAGES AT A GLANCE

■ High flexibility

Bellows covers to protect against contamination |
Data compatibility with other WENZEL systems |
Height-adjustable operating arm

■ High mechanical precision

Granite base | Hand-lapped base plate (DIN 876/0) |
Air bearing guide elements in all axes

■ Low operating costs

Low air consumption | Renishaw sensors |
Reliable and inexpensive spare parts

■ Versatile sensor options

Swapable sensor systems | 3-axis scanning |
Optical sensor technology

■ Suitable for automation and integration into the line

WENZEL-Automation-Interface (WAI) |
Good accessibility | WM I SYS Analyzer

INNOVATION MEETS TRADITION

The WENZEL Group is a market leader in innovative Metrology. WENZEL offers a comprehensive product portfolio in the fields of Coordinate Metrology, Computed Tomography and Optical High Speed Scanning. The technology of WENZEL is used in all industries, including the automotive sector, aeronautics, power generation and

medicine. WENZEL looks at today on an installed base of more than 10,000 machines worldwide. Subsidiaries and agencies in more than 50 countries support sales and provide after-sales service for our customers. The WENZEL Group today employs more than 600 people.



YOUR LOCAL CONTACT PERSON

WENZEL GROUP GMBH & CO. KG

Werner-Wenzel-Straße

97859 Wiesthal

Phone: +49 6020 201-6006

E-Mail: sales@wenzel-group.com

We are there for you worldwide. You can find our subsidiaries, sales and service partners at www.wenzel-group.com.

Follow us & stay up to date!

